

# SANYO

## Fully Automatic Vacuum Autoclave

## MAC-1600PV

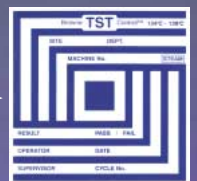
Tabletop unit for any  
professional application  
with pre-vacuum  
program system

Sterilization temperature

121°C  
|  
135°C



### STANDARD ACCESSORIES



Before

After

This product has passed the BOWIE-DICK  
test BS-SPS-FDA guideline.

# MAC-1600PV

**Efficient and convenient tabletop autoclave—ideal for private clinics and dental offices as well as other medical facilities.**

## Features

### The ideal choice for any professional application

Introducing an innovative autoclave that effectively combines maximum versatility with high performance, reliability and safety in a compact, functional and attractive design to suit any demanding application.

### Pre-vacuum and pre-heat program

Specially-designed dry-type vacuum pump for steam and high temperature vacuum use.

### Excellent sterilization results

Passed the Bowie-Dick test with BS-SPS - FDA guideline.

### Space-saving, small external dimensions

SANYO's tabletop autoclave combines a compact design with a large chamber that accommodates 3 special trays and a rectangular basket (option).

### Intelligent and easy operation

The MAC-1600PV comes with 8 preset programs from which to make a selection.

### Maximum safety and reliability

The MAC-1600PV was manufactured to meet all 93/42/EEC codes for devices of this type, and sterilization efficacy has been proved with the Bowie-Dick test. Many other additional measures have been engineered into SANYO autoclaves.

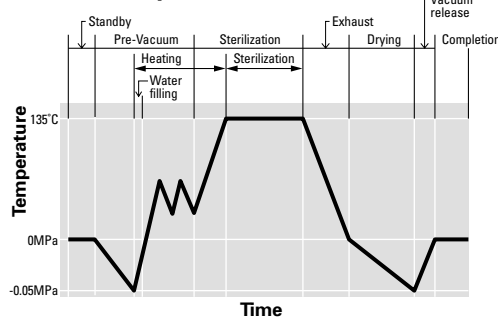
### Other features

- Dry-vacuum program
- Fully automatic control
- Microprocessor control system and sterilization procedure
- Auto-locking pressure door for high-pressure conditions over 0.02MPa
- Low-water indication with alarm and over-heat protection
- Timer settings for main sterilization processes

Type	Temperature	Sterilization Time	Drying Time (min.)*
1	135°C	4 min.	0-90
2	121°C	20 min.	0-90

\*The first setting time is 30/45 min.

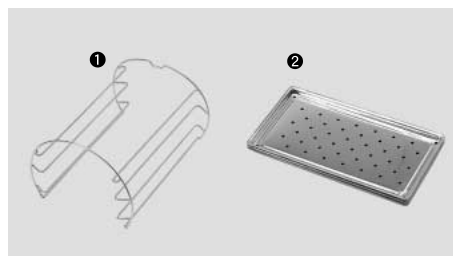
### Sterilization procedure



### Easy-to-read digital display

Autoclave operating status is instantly confirmed with a built-in digital display that indicates sterilization temperature, time and drying time.

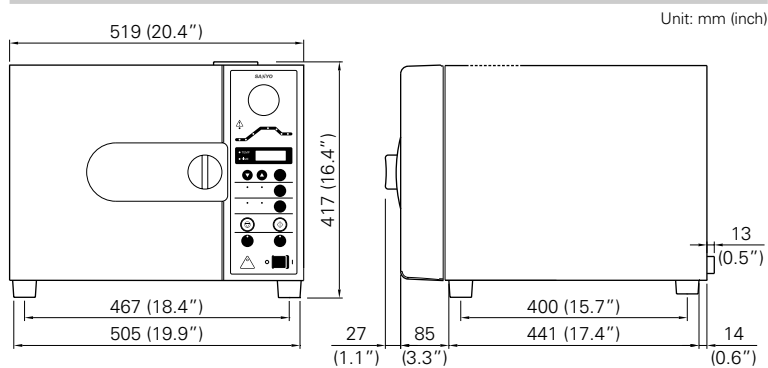
### Standard accessories



- 1 Tray Frame x 1 pc.
- 2 Sterilization Tray x 3 pc.  
1162 (W) x 320 (L) x 14 (H) mm  
[45.7" (W) x 12.6" (L) x 0.6" (H)]

\*For Reference: 1kgf/cm<sup>2</sup>=0.98Bar=14.2psi=0.098Mpa

### Dimensions



Unit: mm (inch)

## Specifications

Model	MAC-1600PV
Door type	Outer door only
Chamber dimensions [ø x depth] mm (inch)	ø230 x 400 mm (ø9.1" x 15.7")
Exterior dimensions [W x D x H] mm (inch)	515 x 540 x 408 mm (20.3" x 21.3" x 16.1")
Effective volume	16.6 L (0.6 cu.ft.)
Net weight	Approx. 39 kg (86 lbs.)
Sterilizing temp. range	121°C, 135°C
Sterilization timer	121°C: 20 min. Unwrapped 30 min. Wrapped 135°C: 4 min. Unwrapped 15 min. Wrapped Dry / Not-dry for selection
Temperature indication	(Temp., Pressure, Error message) Data setting button
Sterilization pressure	121°C: 0.10 to 0.12MPa 135°C: 0.20 to 0.24MPa
Drying function	0-90 min.
Power consumption	120V - 1670W 230V - 1670W
Drying method	Vacuum pump Pre-vacuum -0.066 to -0.072MPa
Air filter	YES (0.2µ)
Tank water level indicator	YES
Programs	8 patterns
Safety devices	Pressure safety valve (set pressure: 0.25MPa) Error message Over-pressure protection sensor Pressure door auto-lock Over-heat & low-water protection sensor Door close alarm, indicator Emergency exhaust switch Breaker: 120V 20A x 2pc. 230V 15A x 2pc. Temperature fuse (226°C)
Safety approval	CE-MDD approval by DNV
Standard Accessories	Tray Frame Sterilization Tray

### Option

Rectangular Wire Basket (MAC-WRB)
170 (W) x 310 (L) x 96 (H) mm [6.7" (W) x 12.2" (L) x 3.8" (H)] To be used for sterilizing items put in sterilization bags.

\*Appearance and specifications are subject to change without notice.

**\*Caution:** to ensure safe and correct operation of the product, please consult the instruction manual.

Distributed by:

# SANYO

SANYO Electric Biomedical Co., Ltd.  
5-5, Keihan-hondori 2-chome, Moriguchi City, Osaka, 570-8677, Japan  
Telephone: +81-6-6994-6234 Fax: +81-6-6994-6258

SANYO Sales & Marketing Corporation  
5-15, Hiyoshi-cho 2-chome, Moriguchi City, Osaka, 570-8634, Japan  
Telephone: +81-6-6992-4015 Fax: +81-6-6992-9291/9295  
URL <http://www.sanyo-biomedical.co.jp/>

©2003 SANYO Printed in Japan 2003.9.MA SHR083

